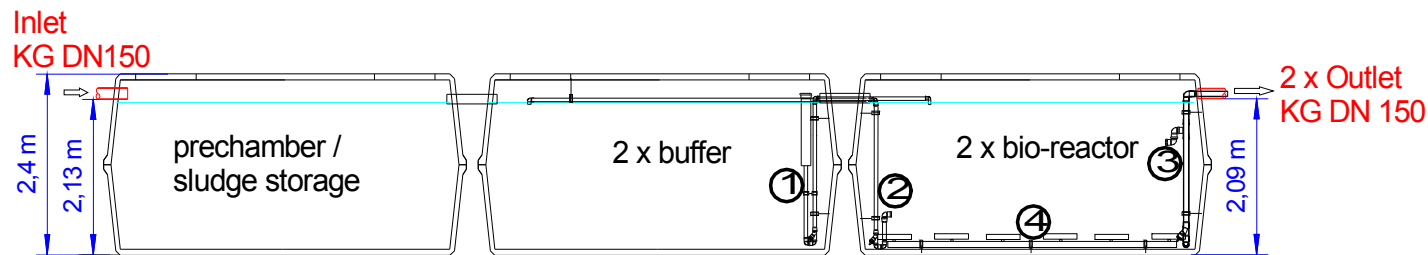
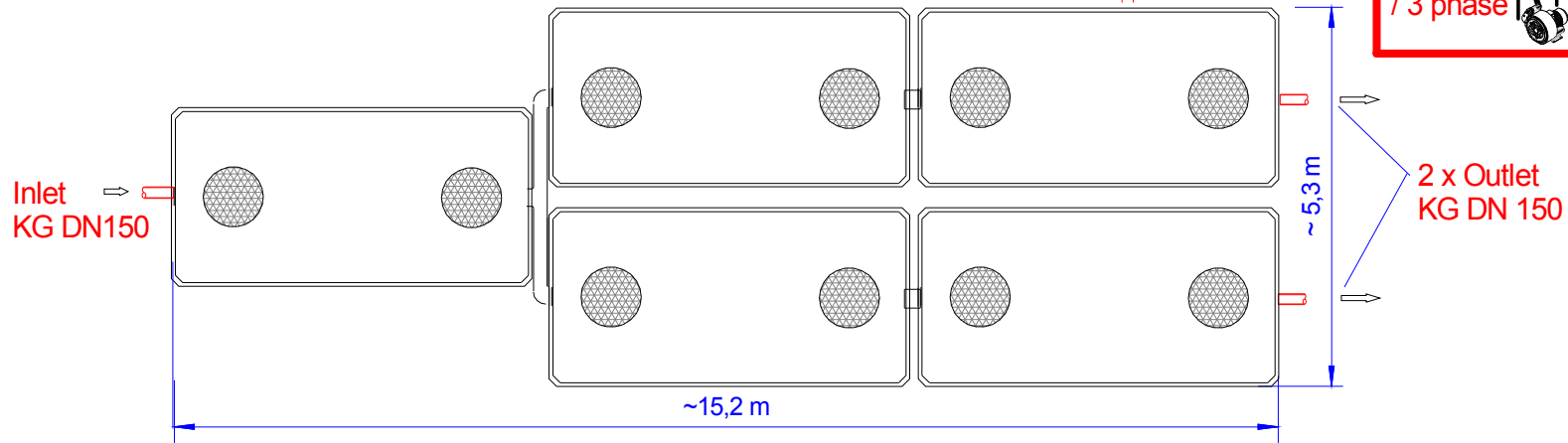
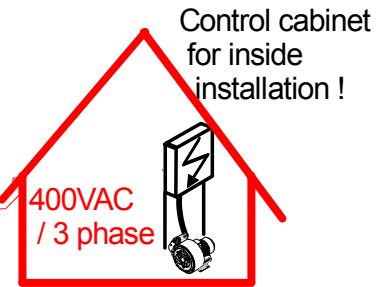


Basics:
 Prechamber desludging interval ~ 12 months
 Effluent class N
 Specific waste water load = 150 liters / d x p.e.
 Specific organic load = 60 gr / d x p.e.

required connection pipe
 KG DN 150 from client for
 hose and cable connection
 (cable and hoses max. 10 m)



● By client
 ● ClearFox

1. Airlift pump filling
2. Airlift pump secondary sludge
3. Airlift pump clearwater
4. Aeration system

| tank | tara weight in kg |
|----------|-------------------|
| tank 1 | 9100 |
| tank 2/3 | 9100 |
| tank 3/4 | 9150 |
| complete | 45600 |

Subject to technical changes

| air hose | power input ~[kW] |
|---------------|-------------------|
| 1 1/2" (50 m) | 3,0 |

CF - SBR wwtp 200 p.e.

plug and play system for underground installation

Copyright at PPU

www.clearfox.com



Please note: All our drawing are in property. All rights reserved. Duplication only with prior approval of PPU.

Datum: 12.02.2016

DIN A4

M /

gez.: mz