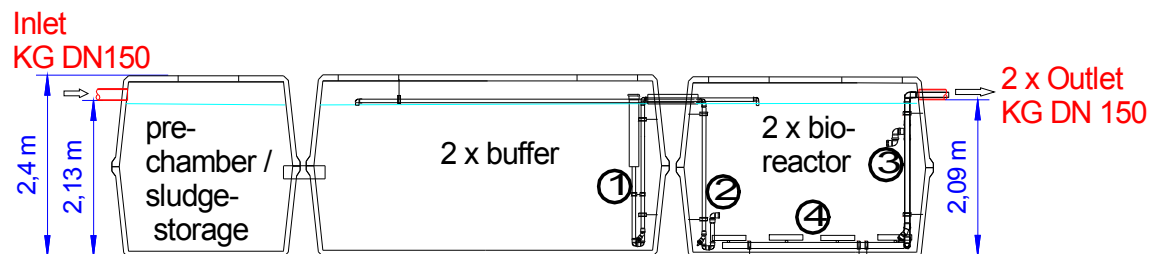
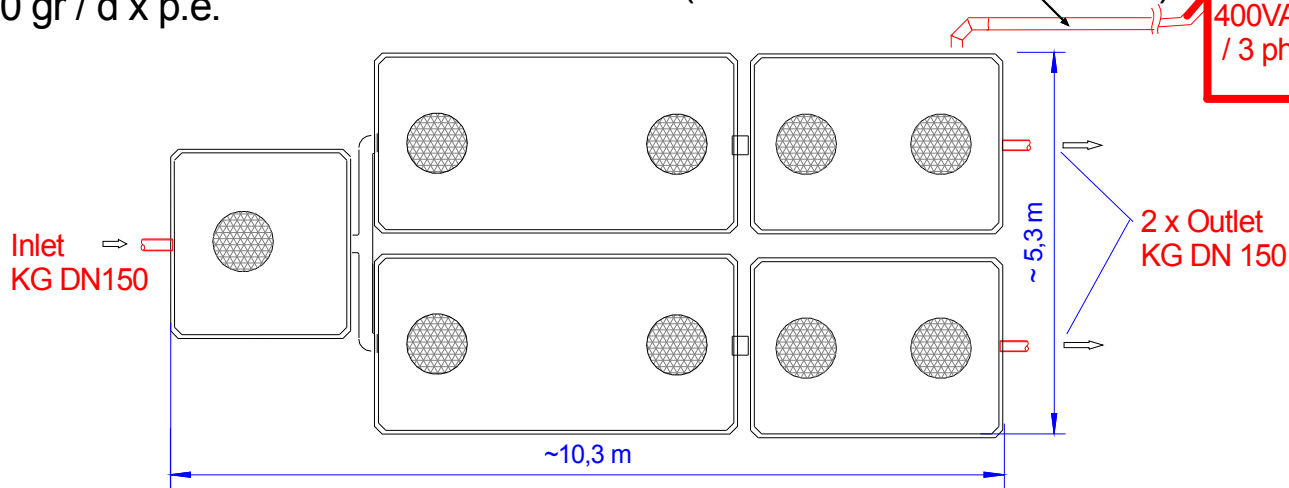
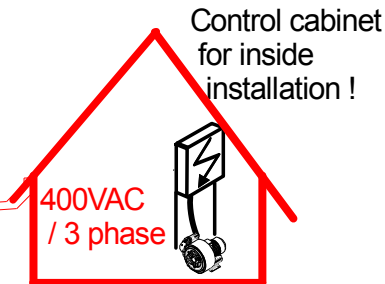


Basics:
 Prechamber desludging interval ~ 12 months
 Effluent class N
 Specific waste water load = 150 liters / d x p.e.
 Specific organic load = 60 gr / d x p.e.

required connection pipe
 KG DN 150 from client for
 hose and cable connection
 (cable and hoses max. 10 m)



● By client
 ● ClearFox

tank	tara weight in kg
tank 1	5700
tank 2/3	9100
tank 3/4	7550
complete	39000

1. Airlift pump filling
2. Airlift pump secondary sludge
3. Airlift pump clearwater
4. Aeration system

Subject to technical changes

air hose	power input ~[kW]
1 1/2" (50 m)	2,2

CF - SBR wwtp 150 p.e.

plug and play system for underground installation

Copyright at PPU

www.clearfox.com



M /

Please note: All our drawing are in property. All rights reserved. Duplication only with prior approval of PPU.

Datum: 12.02.2016

DIN A4

gez.: mz