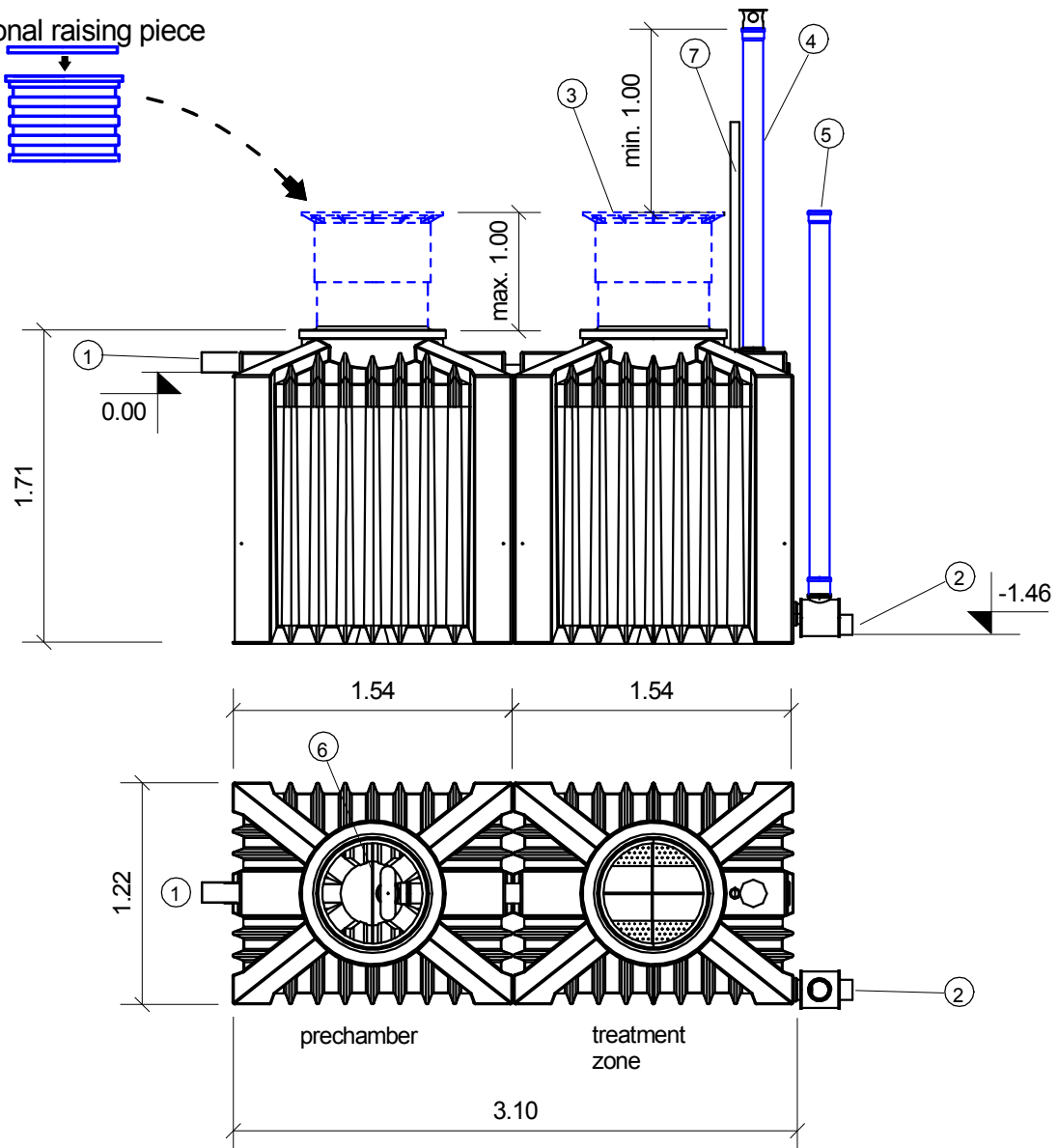


all measurements in metres

optional raising piece



1. Inlet 110mm
2. Gravity outlet 110mm
3. Cover with aeration holes
4. Ventilation pipe 110mm  
If the aeration pipe is moved further away from the treatment plant, always ensure that this pipe is set horizontally to the plant and that the ventilation pipe is set vertically.
5. Sampling shaft 110mm
6. Bafflewall
7. Optional indicator for water backflow alarm

Material for tanks: Polyethylene

All components marked in blue are provided by others or available as an option.

4 population sewage  
treatment plant  
gravity outlet

www.clearfox.info

**ClearFox**<sup>®</sup>  
[... be clever ]

WWTP ClearFox nature  
Class C

Datei:Zeichnung\_ClearFox nature 4 EW\_06.2013\_E

M1:40

Datum: 06.2013

DIN A4

gez.: rpo