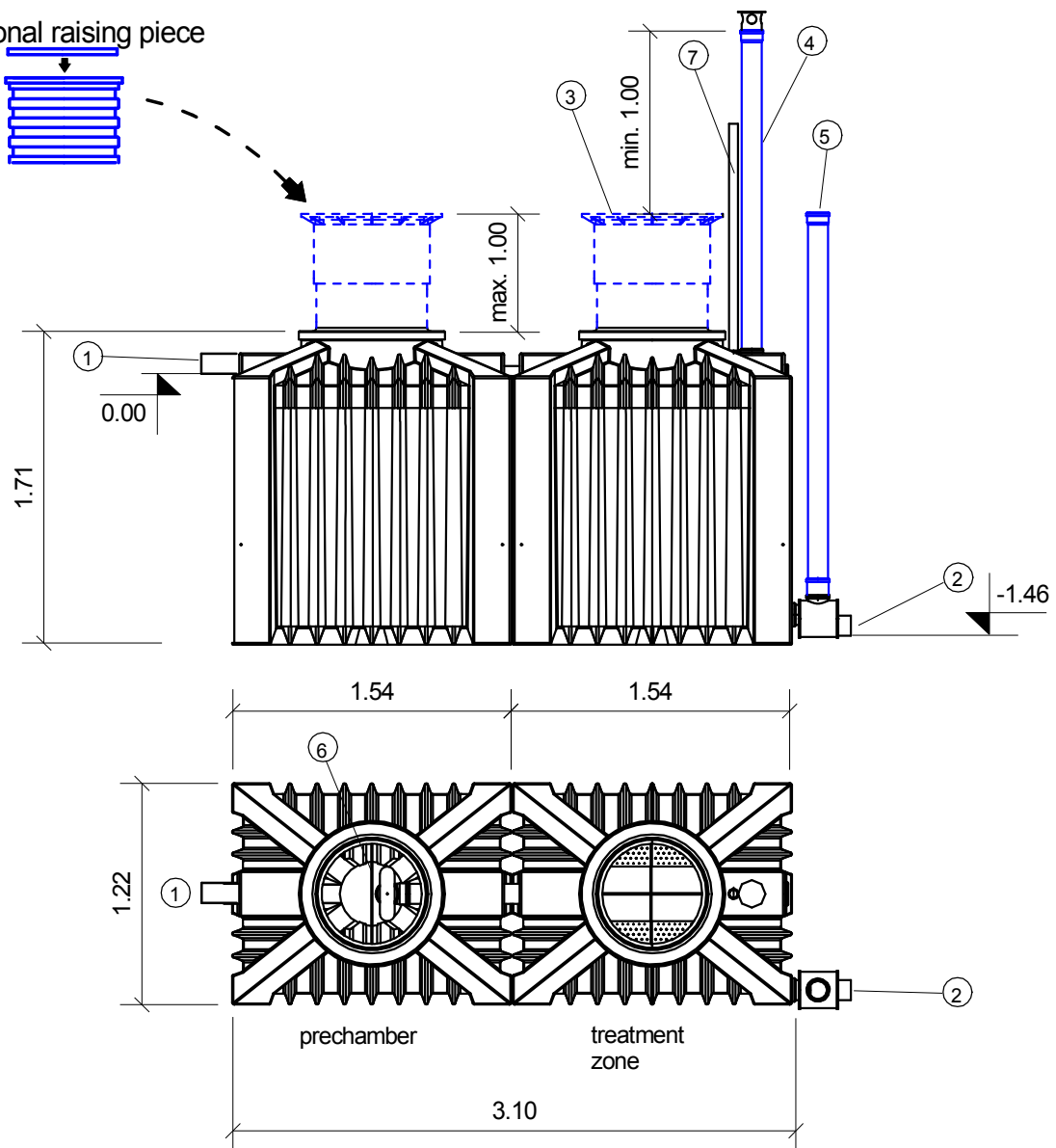


Pos.	Qty.	Description	Price/piece in €	Price/totaly in €
		<p>Fully biological, biofilm wastewater treatment plant with aerobic sludge degradation. System ClearFox® nature, size 4 p.e. Compact, modular treatment plant. Inlet and outlet openings for KG DN100 prepared (integrated high-quality EPDM seals already in the tank). The monolithic containers are all made from high quality PE in rotational moulding in one piece and must not to be screwed! Rips are vertical and proportional with the earth pressure stronger. Container equipped with a telescopic shaft for variable compensation of the entry shaft including walk-in cover (in child-execution). PE-tank on site has brought in standard horizontal rectangular box made of stainless steel for installation of water (upschwimming safety do it on site!). System CE compliant and EN 12566-3 including test certificates on request as following: Breakage vertical load: PIA2007-BT-010 Horizontal pressure stability: PIA2010-ST-PIT1003-100 Water leak: PIA2007-WD001 Hydraulic efficiency: PIA2007-HW-002 Material durability: Polyethylen according EN 12566-3 General approval C / N: from April 2011 Efficiency cleaning performance: from March 2011 No crane on construction site required as the largest single weight max. 160 kg. All the technical components in the system are factory pre-assembled ready for connection (plug and play). volume prechamber > 550 liters per person value of long sludge storage, sludge thickening and buffering Documentation: www.clearfox.info</p> <p>Technical data and dimensions:</p> <ul style="list-style-type: none"> - 1 PE-tank 2250 Liter, (sludge storage and buffer) unit Weight: app.120 kg size: lxwxh 1535x1215x1710mm - 1 PE-tank 2250 Liter, (biological reactor) unit Weight: app.160 kg size: lxwxh 1535x1215x1710mm - required Size: 3,10x1,22m - maximum inlet depth: 1000mm below ground level - manhole tank: 600mm - plant size: 4 p.e. (inhabitants) - effluent values: class C/N (according to the German classification) <p>Note: The respective installation instructions, especially to be observed for tank installation. (www.aquaplast.de)</p>		

all measurements in metres

optional raising piece



1. Inlet 110mm
2. Gravity outlet 110mm
3. Cover with aeration holes
4. Ventilation pipe 110mm
If the aeration pipe is moved further away from the treatment plant, always ensure that this pipe is set horizontally to the plant and that the ventilation pipe is set vertically.
5. Sampling shaft 110mm
6. Bafflewall
7. Optional indicator for water backflow alarm

Material for tanks: Polyethylene

All components marked in blue are provided by others or available as an option.

4 population sewage
treatment plant
gravity outlet

www.clearfox.info

ClearFox[®]
[... be clever]



WWTP ClearFox nature
Class C

Datei:Zeichnung_ClearFox nature 4 EW_06.2013_E

M1:40

Datum: 06.2013

DIN A4

gez.: rpo