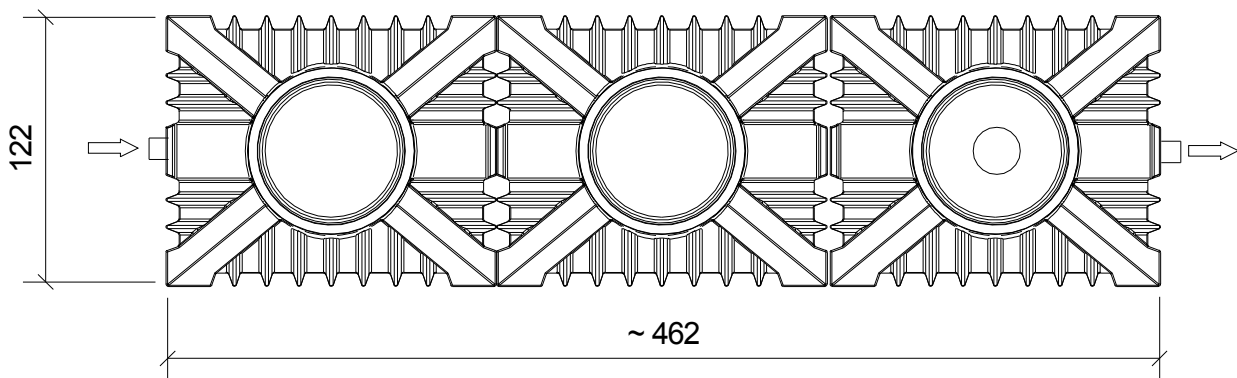
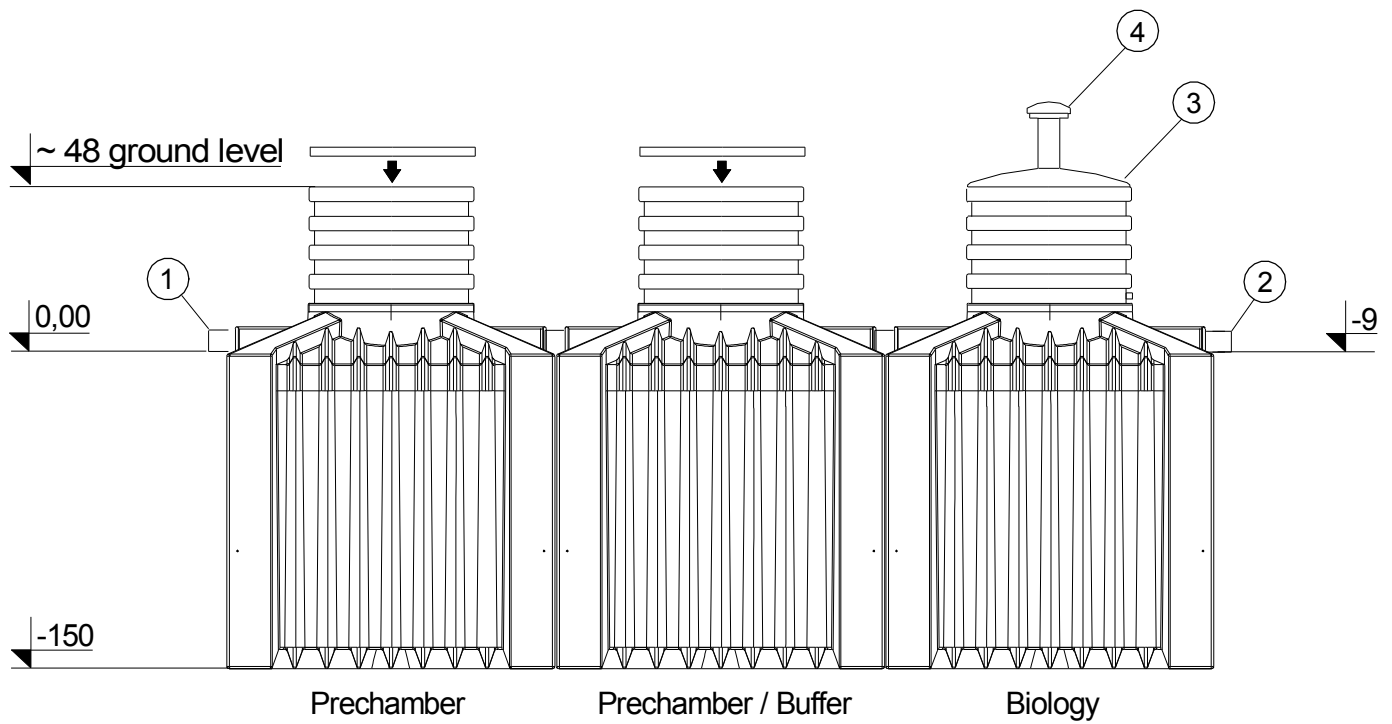


Text for tender: SBR-small wastewater treatment plant ClearFox® 10 p.e.

Pos.	Qty.	Description	Price/piece in €	Price/totaly in €
		<p>Fully biological SBR sewage treatment plant system ClearFox® .</p> <p>Compact modular sewage treatment plant with high-quality clog-save airlift pumps. Integrated energy-saving mode and overflow control by use of fully automatic pressure sensor. No need for calibration, ensured automatically. Air distributor with high-end stepmotors and hose connectors from stainless steel (not possible to break)! Furthermore, noiseless and no power consumption, except for opening and closing. Complete ClearFox® control module integrated in the dome-shaft → no need for hose installation in the earth. You have only to connect the Inlet and outlet, and just the power cable.</p> <p>No need for another connections. Openings for KG DN100 prepared (integrated high-quality EPDM seals already in the tank). The monolithic containers are all made from high quality PE in rotation in one piece and not have to be screwed! The ribs form is mainly vertical to allow for a good and ergonomic mixing of reactor. The tanks are equipped with a dome-shaft, standard with 300mm. The tank-lids (save to walk on, until 200kg) are screwed (in child protection).</p> <p>System CE compliant and EN 12566-3 including test certificates for efficiency, water leakage and breakage resistance.</p> <p>The max. individual weight is about 145 kg and thus allows an easy handling on the site. No crane required!</p> <p>All the technical components in the system are factory pre-assembled ready for connection (plug and play).</p> <p>Product: ClearFox® fully biological SBR sewage treatment plant Documentation: www.clearfox.info</p> <p>Technical data and dimensions:</p> <ul style="list-style-type: none"> - 1 PE tank 2250 liters, (biological reactor) Unit weight: ~145 kg (incl. ClearFox® control module) Size: l x w x h 1535 x 1215 x 2000 mm - 1 PE tank 2250 liters, (prechamber und buffer) Unit weight: ~125 kg Size: l x w x h 1535 x 1215 x 2000 mm - 1 PE tank 2250 liters, (prechamber) Unit weight: ~120 kg Size: l x w x h 1535 x 1215 x 2000 mm - Required size: ~4,62 x 1,22 m - Max. inlet depth: 1000 mm below ground level - Manhole tank: 600 mm - Dome-shaft extension: 300 mm - Power supply: customer provided underground cable with 230 VAC, 3 x 1,5 mm², protection 10A, ground fault circuit interrupter. - Control box: ClearFox® control module integrated in the dome-shaft of biological reactor - Power consumption: ~80 W - Plant size: 10 p.e. (inhabitants) <p>Note: The respective installation instructions, especially to be observed for tank installation.</p>		



Legend:

1. Inlet DN100 (Mat. KG/PE)
2. Outlet DN 100 (Mat. KG/PE)
3. ClearFox control unit integrated
4. Aeration tube for control unit

Material for tanks: PE

all measures in cm

regarding to DIN EN 12566-3

Subject to technical changes

Copyright by PPU - Umwelttechnik - Germany

www.ppu-umwelttechnik.de
www.clearfox.de

ClearFox® - compact module (SBR)
 10 p.e. (1,5m³/d)

Diese Zeichnung ist unser Eigentum und darf ohne unsere Genehmigung weder vervielfältigt noch Dritten zugänglich gemacht werden.



Datei: ZE-AT_CF-SBR_10EW_E_2014.03.SKF

M /

Datum: 26.03.2014

DIN A4

gez.: mzi